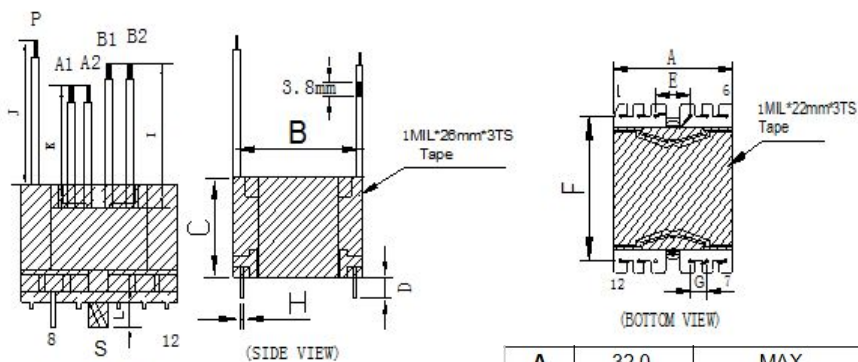


| | | |
|-------------------|------|---------------|
| CUSTOMER TERMINAL | ROHS | Lead(Pb)-free |
| | YES | YES |

1.Mechanical Dimensions



| | | |
|---|-------|------|
| A | 32.0 | MAX |
| B | 22.0 | MAX |
| C | 25.0 | MAX |
| D | 3.8 | ±0.5 |
| E | 7.5 | ±0.5 |
| F | 25.0 | ±0.5 |
| G | 5.0 | ±0.5 |
| H | 0.75 | ±0.1 |
| I | 58.5 | ±2.0 |
| J | 53.50 | ±2.0 |
| K | 39.5 | ±2.0 |
| L | 3.8 | MAX |

3.Material List

Core:FW44 PQ3225

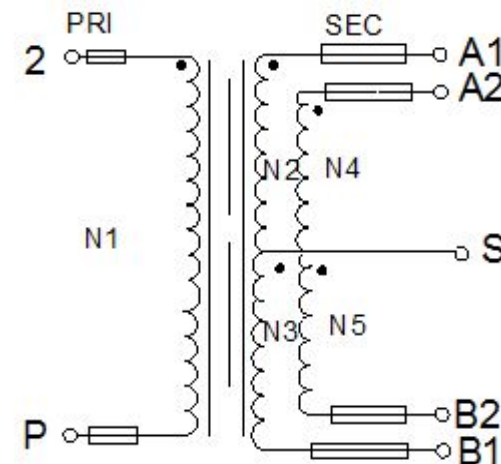
Bobbin:FWB3202-1(6+6PIN)

Wire: TIW LITZ 2UEW

Copper foil:0.025t*10.0mm

Operating Temperature: -30 to115 °C

2.Schematic Diagram



4.Electrical Specification

Inductance : $L(2-P):45\mu H \pm 5\%$ 100KHZ , 0.9V

Leakage Inductance : $5\mu H$ MAX 100KHZ , 0.9V

DCR : (2-P)= $50m\Omega$ MAX

Hi-Pot:P-S: AC 60Hz 4000V 1mA 3S

P-CORE: AC 60Hz 4000V 1mA 3S

| | | | | | | |
|------|-------|-----------------------------|--|------|----------------|--------------|
| REV. | DATE | <p>Convention Placement</p> | DRW. | | Drawing Title: | Part No: |
| 0 | 00/00 | | CHK. | | | |
| ROHS | | | www.ferriwo.com | APP. | | Customer P/N |